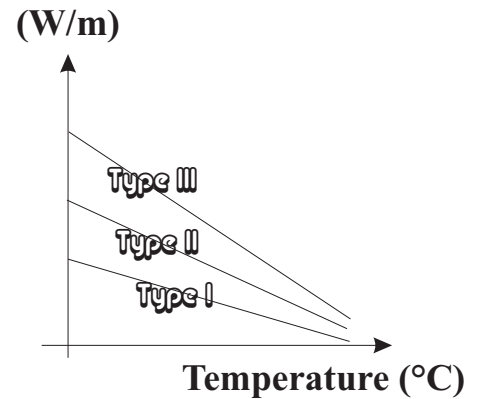
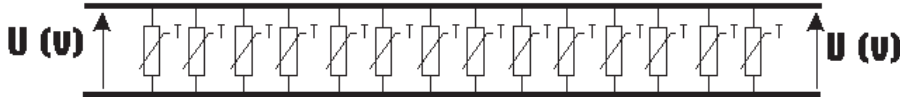


# Working principles

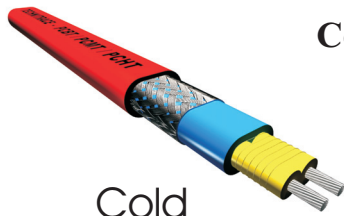


## Self regulating heating cable or various wattage

- Cut to length
- Can be derived

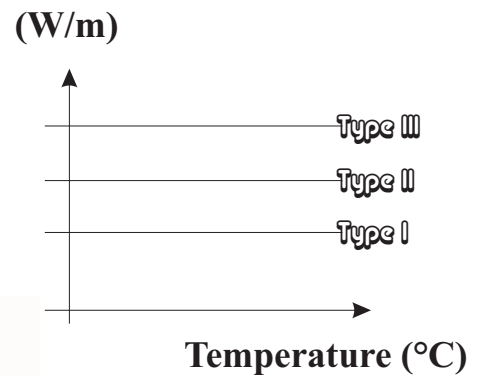
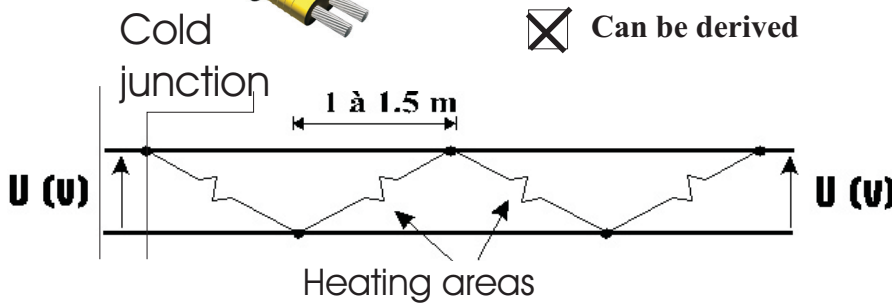


The self regulating heating cable adjust locally its wattage function of the local temperature.  
Limiting temperature 65°C/CABT and 120°C/CAHT



## Constant wattage heating cable parallel type

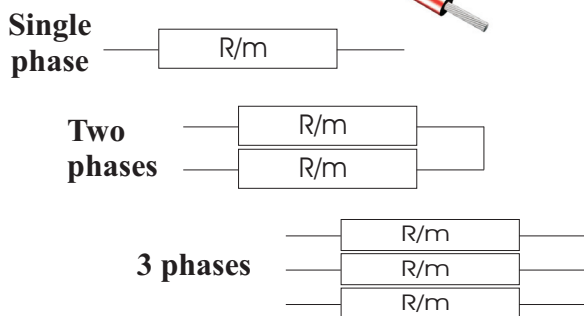
- Cut to length
- Can be derived



The constant wattage heating cables are constituted of parallel heating areas (approx 1m long) and there power is constant



## resistive and constant wattage heating cable (serial type)



The heating cable is constituted with 1, 2 or 3 heating and resistive wires designed function of the request and application  
Can not be cut at length on the job site

